



BS361



BS36



BS600-1

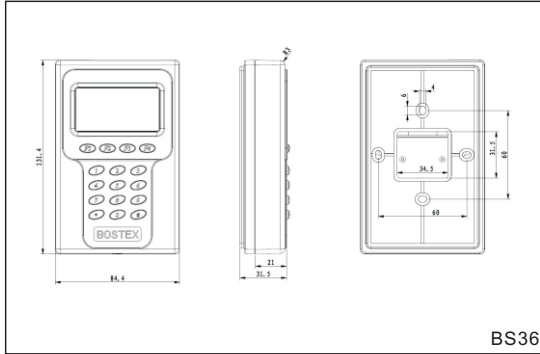
## Features

- ◆ Single door controller, control IN/OUT of one door
- ◆ Storage Capacity up to 10,000 cards and 10,000 transactions
- ◆ Standalone Operation or Communicate with PC via RS-232, RS-485 or TCP/IP (via TCP/IP converter)
- ◆ Running on 16 bit CPU at 8MHz
- ◆ Support "Toggle Mode", mainly use for controlling on/off of large-scale electrical equipment
- ◆ Support Anti-passback
- ◆ Support Anti-tailgating
- ◆ Support Arm/Disarm function
- ◆ Programmable Time zone / Pin Access Control
- ◆ Support any 3rd party external Wiegand Reader or Keypad Reader
- ◆ Recoverable up to the latest 10,000 transaction if back end system failure
- ◆ Support build-in reader module such as EM, Mifare, HID, TI and CPU card
- ◆ CE Certified

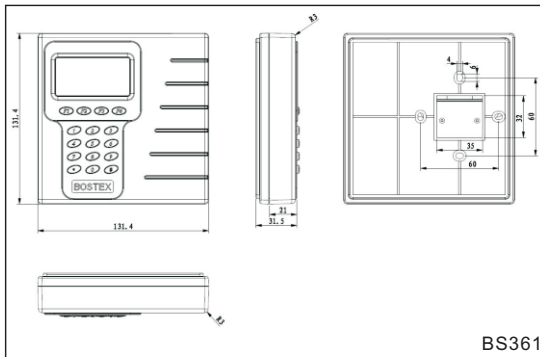
## Functional List

Function	BS36	BS361	BS600-1
Card Open Door	Present card to external or build-in wiegand reader		
Card+PIN Open Door	(1) Use with Controller with build-in reader		
Security PIN Open Door	(2) Connect to external wiegand keypad reader: BS36K, BS361K		
Card ID Open Door	(3) Open door either by enter Security PIN or Card ID (4) Open Door by Card + Pin: 4 digits PIN; By Security PIN: 8 digits PIN		
Connect External Wiegand Reader	Support any 26/ 34 bit wiegand card reader and free wiegand card reader		
Free Wiegand Setting	Yes. Able to configure card battery low-voltage alarm when using long range reader		
Connect External Keypad Reader	(1) HID wiegand keypad reader (2) BS36K/BS361K keypad reader		
Connect External BS Fingerprint Reader	Yes, via wiegand port		
Connection to PC	Via RS232, RS485 or TCP/IP (require TCP/IP converter)		
Exit by Push Button	Yes		
Door Force Open Alarm	Yes		
Door Held Open Alarm	1-255 seconds. Factory default is 5 seconds. Alarm output can be disable		
Add/Delete Card in standalone mode	Yes		
Multi-card Verification	Yes. up to 8 cards		
Keypad Open Door	Through controller keypad. Factory default is "No".		
Wrong PIN Control	During Card + PIN operation, if PIN enter 3 times incorrectly will disable the controller for 30 seconds		
Same Card Delay	0-255 seconds. Factory default is 0 second.		
Time Zone Control	32 set of time zone		
Holiday Control	Yes		
Lost/Inhabit Card	Yes		
Card Start and Expiry Date Validation	Yes		
Door Auto Unlock by Timezone	Yes		
Anti-passback	Yes (Local or Global). Able to reset manually or by time		
Timing Event (Alarm Clock)	Yes		
Alarm arming/disarm	Yes		
Anti Tailgating	Yes		
Time Error Correction	Yes		
Card Number Output Byte	1-4 bytes. Default is 4 bytes		
Card Number Display Format	HEX, DEC, ABA, User Code. Default is DEC		
Communication Monitoring	Yes		
Internal Buzzer Alarm	Able to setup trigger alarm buzzer when door force open or door held open alarm. Factory default is "No".		
PIN Control	Able to setup Exit without PIN Control. Factory default is Yes.		
Timezone Control	Able to set to Exit without Timezone Control. Factory default is Yes.		
Tamper Alarm	Build-in tamper switch. If device is opened, controller will send an alarm record to back end PC.		
Door Left Open Restore transaction	Yes		
485 Comm Terminating Resistor	Via jumper setting		

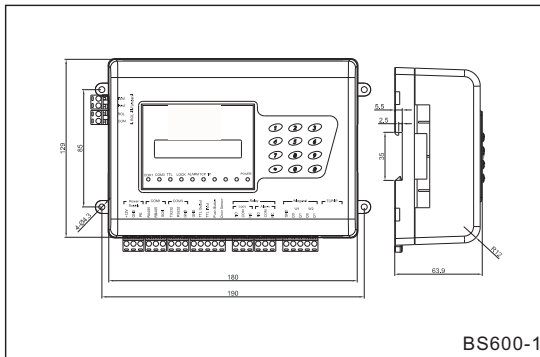
## Dimension (Unit: mm)



BS36



BS361

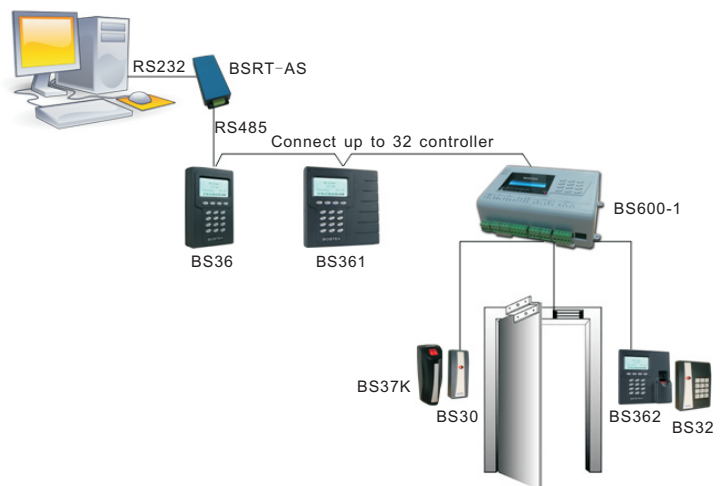


BS600-1

## Technical Specification

Parameter	BS36	BS361	BS600-1
CPU	16 bits, 8MHz		
RAM	512K Bytes		
Flash	256K Bytes		
Number of Door	1		
Wiegand Reader Connect	2		
TTL Alarm Input	1		
Door Sensor	1		
Exit Push button	1		
TTL Alarm Output	1, 5V/300mA		
Alarm Relay Output	1, 12V/1A	1, 12V/1A	1, 12V/10A
Door Relay Output	1, 12V/1A	1, 12V/1A	1, 12V/10A
Tamper Switch	1		
Card Capacity	10, 000		
Record Capacity	10, 000		
Serial COM Port	2, 1x485 connect to PC, 1x232 connect to serial printer or PC		
Baud Rate	1200~19200 bps. Default is 19200 bps		
Controller ID Setting	001~255. Default is 1		
Data Backup Battery	Rechargeable. Without main power able to save the data up to 6 months		
Keypad	4x4, Blue Backlight	4x4, Blue Backlight	3x4, Blue Backlight
LCD	128x64 dots Graphical, White Backlight, Chinese, English	128x64 dots Graphical, White Backlight, Chinese, English	16x2 line, Blue Backlight, English Menu
Buzzer	1, audible sound able to distinguish valid and invalid card		
Power Supply	9~30VDC, 300mA		
Operating Temperature	-10~50°C		
Dimension	131 x 84 x 32 mm	131 x 131 x 32 mm	129 x 190 x 64 mm
Casing	ABS flame-resistant		
Mounting	Wall mount	Wall mount	Din rail mount

### Single Door Controller Series Typical Connection



► Model Selection

### BS36 Series

Model	Description
BS36-XXX	Graphical display single door controller
BS36-XXX-E	Single door controller, build-in EM Card reader, range > 5cm
BS36-XXX-M	Single door controller, build-in Mifare Card reader, range > 2. 5cm
BS36-XXX-H	Single door controller, build-in HID Card reader, range > 2. 5cm
BS36-XXX-T	Single door controller, build-in ISO15693 (TI) Card reader, range > 2. 5cm
BS36-XXX-C	Single door controller, build-in CPU Card reader, range > 2. 5cm

### BS361 Series

Model	Description
BS361-XXX	Graphical display single door controller
BS361-XXX-E	Single door controller, build-in EM Card reader, range > 5cm
BS361-XXX-M	Single door controller, build-in Mifare Card reader, range > 2. 5cm
BS361-XXX-H	Single door controller, build-in HID Card reader, range > 2. 5cm
BS361-XXX-T	Single door controller, build-in ISO15693 (TI) Card reader, range > 2. 5cm
BS361-XXX-C	Single door controller, build-in CPU Card reader, range > 2. 5cm

### BS600-1 Series

Model	Description
BS600-XXX-1	Single door controller